

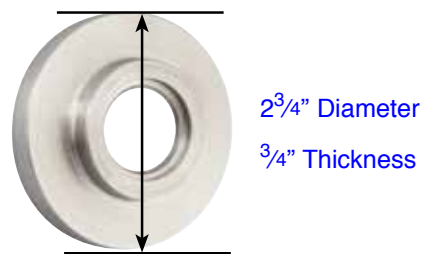
Hanover Lever (HN)

Door Thickness Specifications:

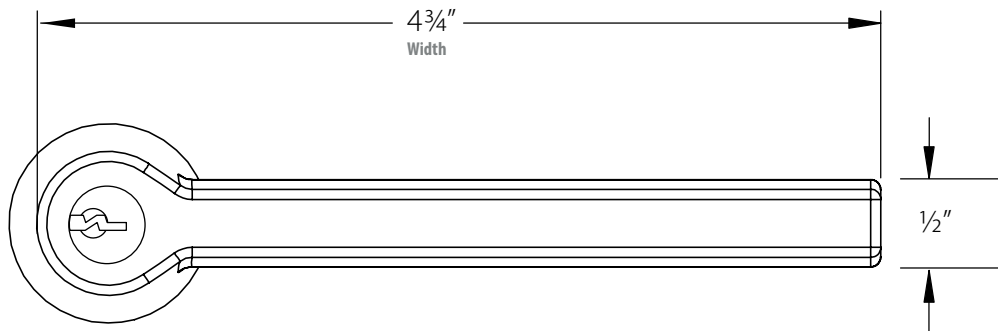
- Standard Door Thickness: $1\frac{1}{4}$ " - $2\frac{1}{16}$ "
- Extended Door Thickness Range: $2\frac{1}{16}$ " - $2\frac{3}{4}$ "

* Specify Door Thickness when ordering

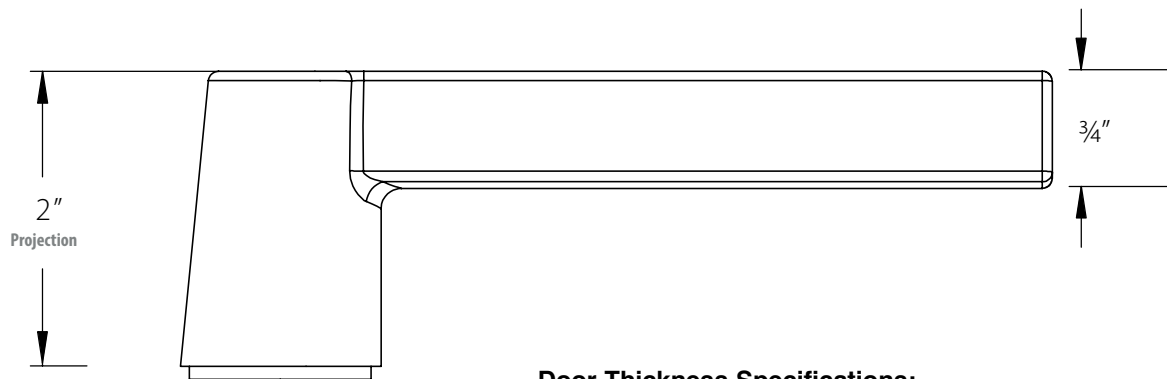
* For thicker doors, must order with Extension Kit



Disc Key-in
Rosette



Helios Lever (HLO)

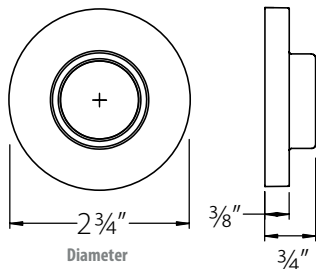


Door Thickness Specifications:

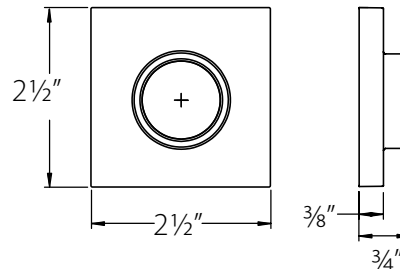
- Standard Door Thickness: 1 1/4" - 2 1/16"
- Extended Door Thickness Range: 2 1/16" - 2 3/4"

* Specify Door Handing and Thickness when ordering
* For thicker doors, must order with Extension Kit

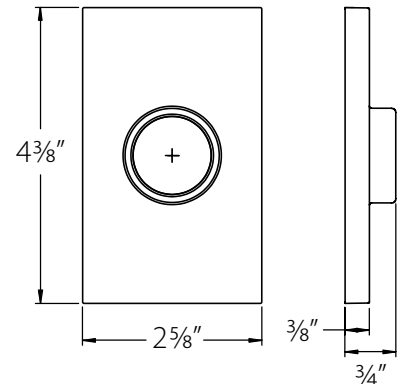
Disk Key-in Rosette

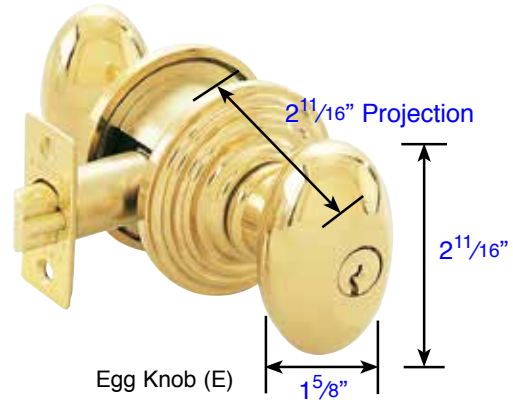
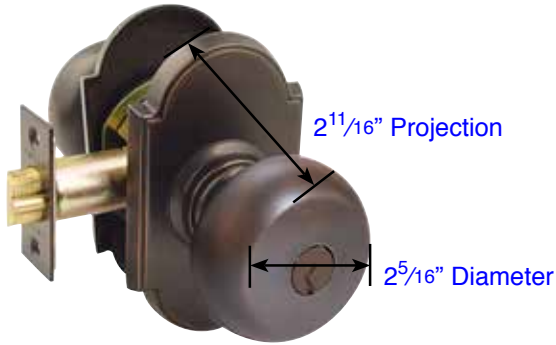


Square Key-in Rosette

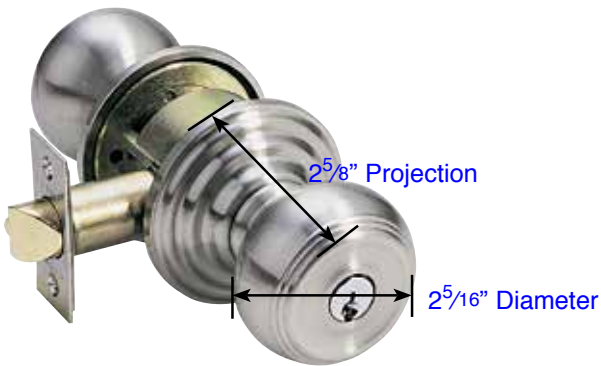


Modern Rectangular Key-in Rosette



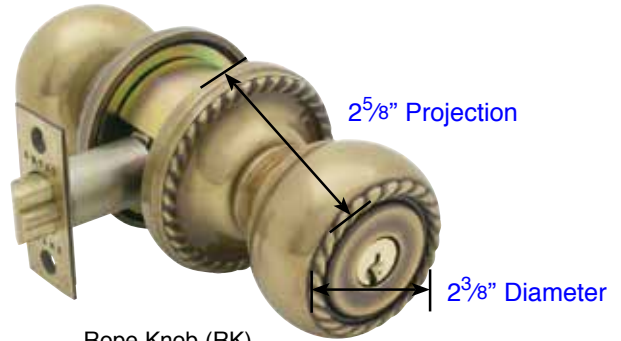


• Space between rosette and knob is approx. 1"



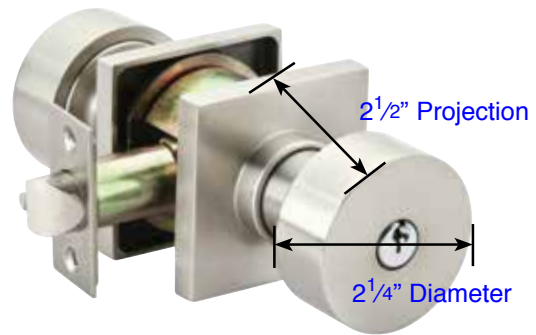
Waverly Knob (W)

• Space between rosette and knob is approx. 1"



Rope Knob (RK)

• Space between rosette and knob is approx. 1"

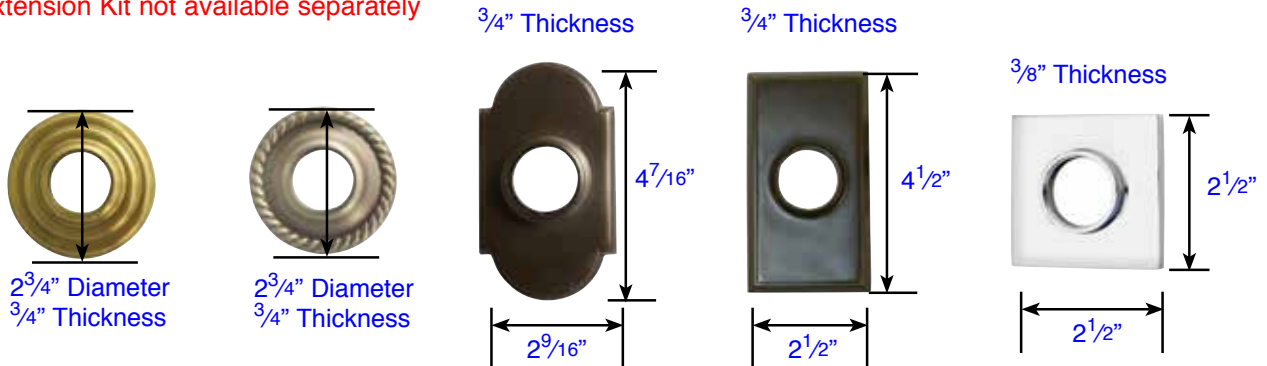


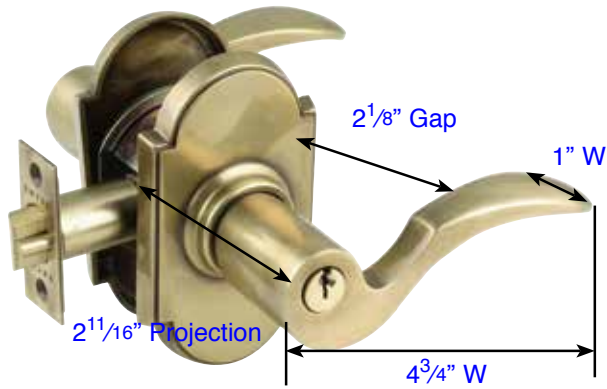
Round Knob (ROU)

Door Thickness Specifications:

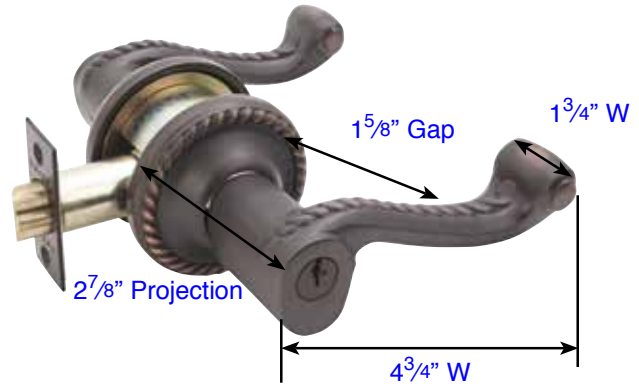
- Standard Door Thickness: 1 1/4" - 2 1/16"
- Extended Door Thickness Range: 2 1/16" - 2 3/4"

- * Specify Door Thickness when ordering
- * Extension Kit not available separately

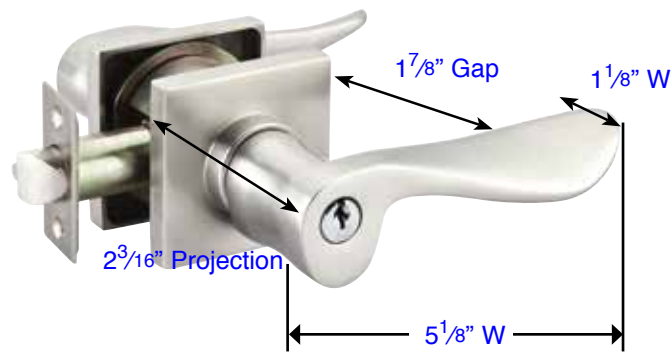




Cortina Lever (C)



Rope Lever (RL)

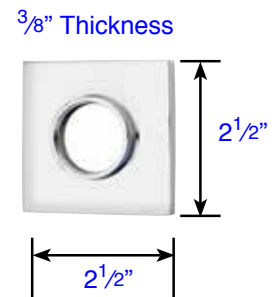
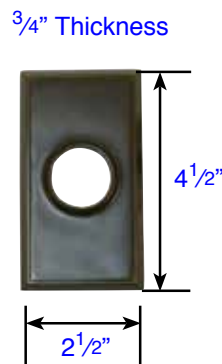
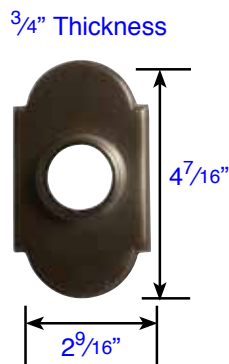
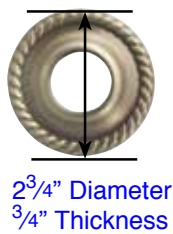
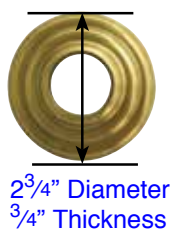


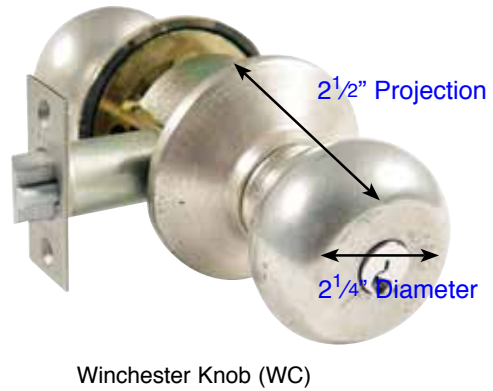
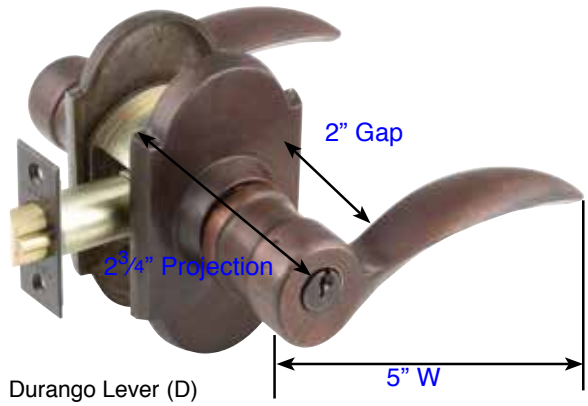
Luzern Lever (LU)

Door Thickness Specifications:

- Standard Door Thickness: 1 1/4" - 2 1/16"
- Extended Door Thickness Range: 2 1/16" - 2 3/4"

- * Specify Door Thickness when ordering
- * Extension Kit not available separately

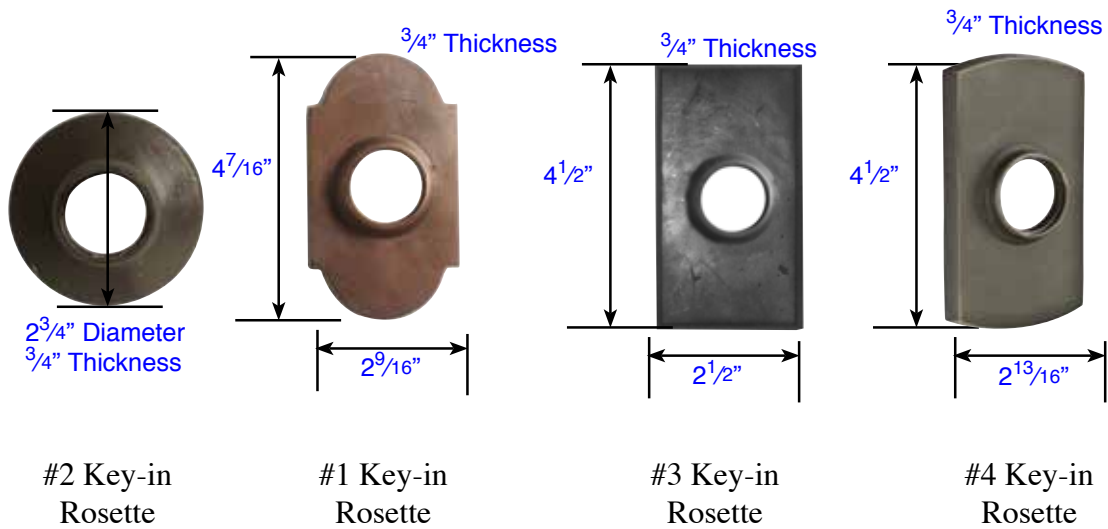


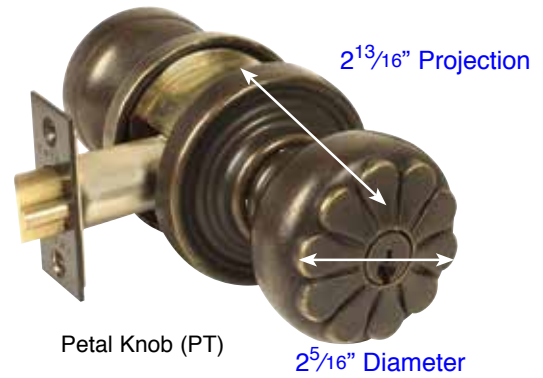
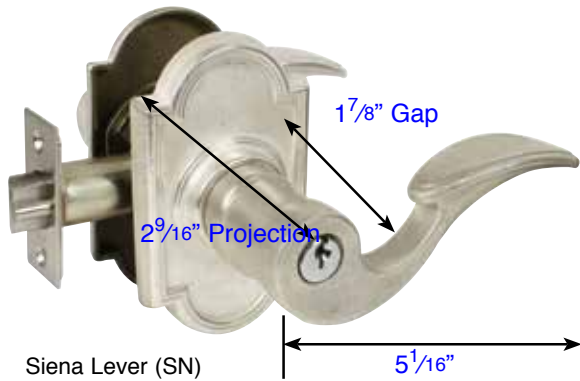


Door Thickness Specifications:

- Standard Door Thickness: 1 1/4" - 2 1/16"
- Extended Door Thickness Range: 2 1/16" - 2 3/4"

- * Specify Door Thickness when ordering
- * Extension Kit not available separately

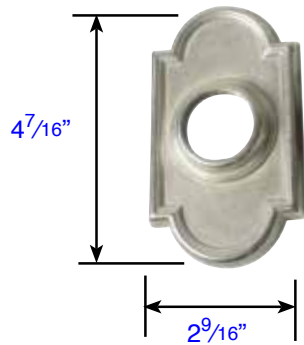




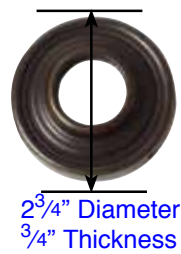
Door Thickness Specifications:

- Standard Door Thickness: 1¹/₄" - 2¹/₁₆"
- Extended Door Thickness Range: 2¹/₁₆" - 2³/₄"

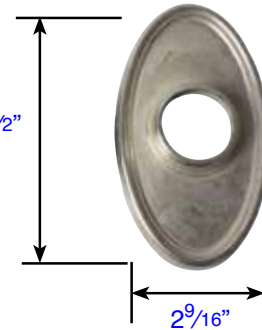
- * Specify Door Thickness when ordering
- * Extension Kit not available separately



3/4" Thickness



4 1/2"



3/4" Thickness